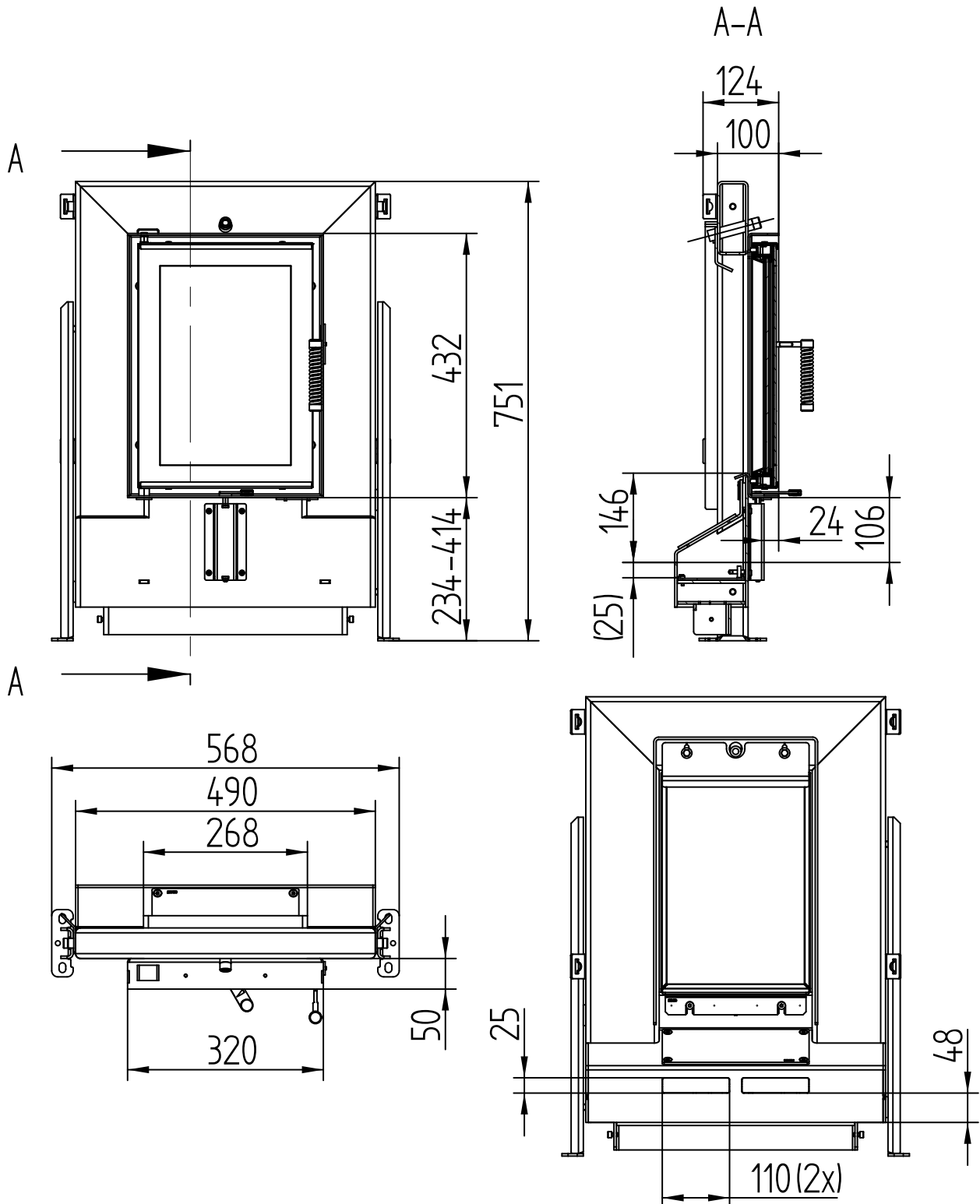


GENERAL TECHNICAL INFORMATION	
Recommended wood load	7 kg
Maximum cross-section of the supply air connection	180 cm ²
Optional combustion air adapter	1 × Ø 150 mm
Pressure drop	-
Free glass area	782 cm ²

M 1 : 10

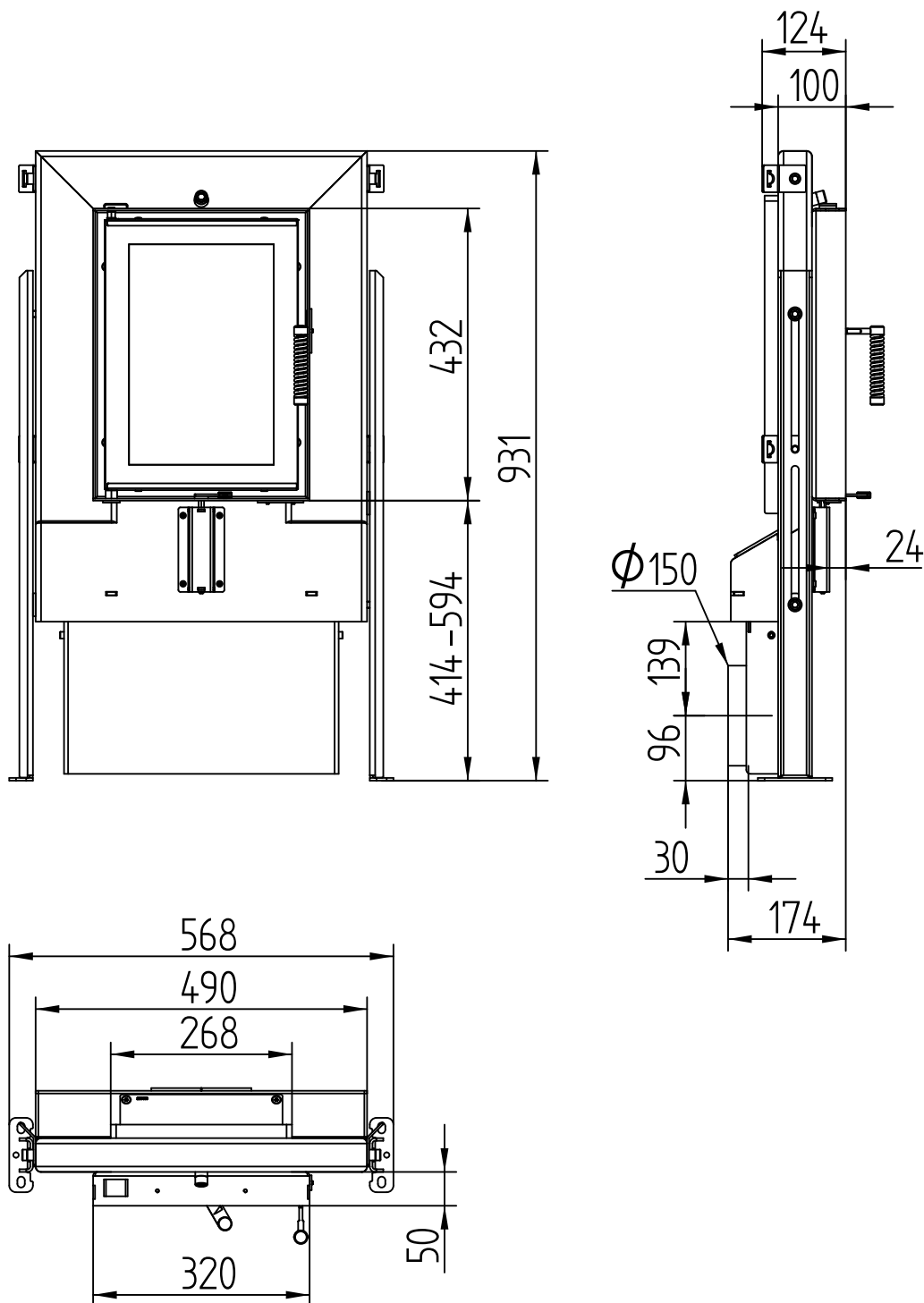


GT 32/44

Technical data
Version 07/2015

COMBUSTION AIR CONNECTION 1 x \varnothing 150 mm

M 1 : 10

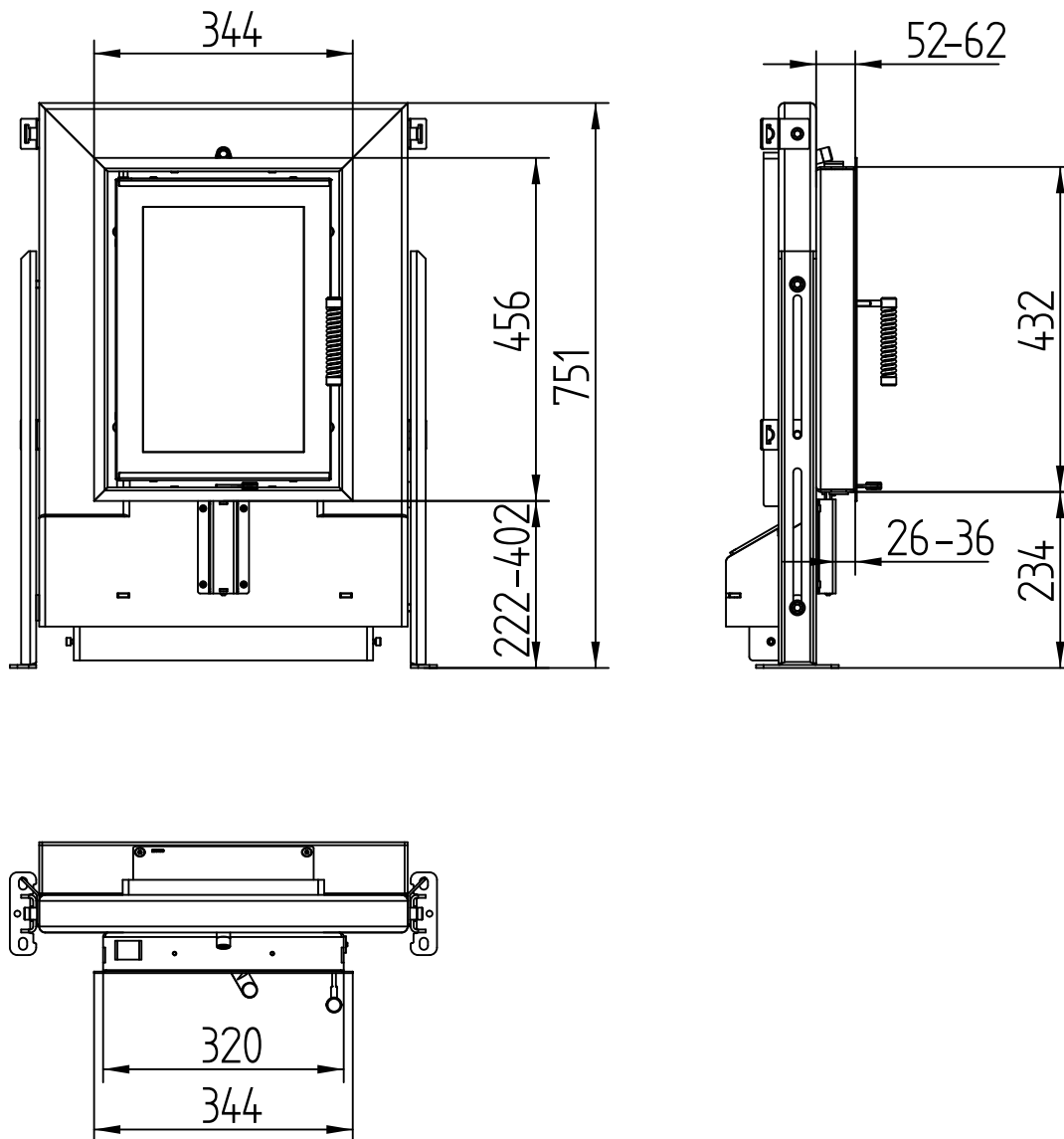


GT 32/44

Technical data
Version 07/2015

COVER FRAME 4-SIDED 1 x 90°

M 1 : 10



GT 32/44

Technical data
Version 07/2015

COVER FRAME 4-SIDED 2 x 45°

M 1 : 10

