

OPERATION WHEN DIRECTLY CONNECTED TO CHIMNEY	HAKA 63/51 Wa	HAKA 63/51 Wa+
Tested according to	EN 13229	EN 13229
Nominal heat power / Power absorbed to water	14,5 / 9,5 kW	22 / 12,7 kW
Efficiency	> 80 %	> 80 %
Consumption of wood	4 kg/h	6 kg/h
Mass flow of flue gas	13 g/s	17 g/s
<b>Average flue gas temperature</b> on the output	225 °C	252 °C
<b>Heat distribution</b>		
fireplace insert	20 %	22 %
door glass (single / double)	- / 17 %	- / 20 %
water	63 %	58 %
Required chimney pressure	12 Pa	12 Pa
Required amount of combustion air	40 m <sup>3</sup> /h	60 m <sup>3</sup> /h
Minimum supply air grating cross-section	350 cm <sup>2</sup>	600 cm <sup>2</sup>
Minimum outgoing air grating cross-section	400 cm <sup>2</sup>	700 cm <sup>2</sup>

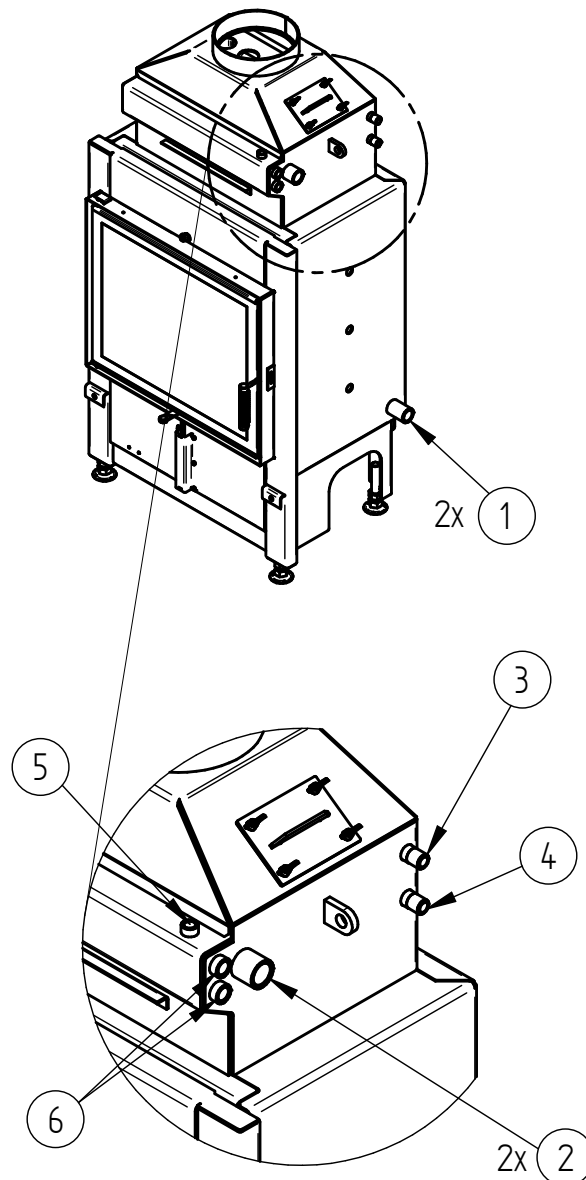
WATER EXCHANGER SPECIFICATIONS		
Maximum working pressure	2,5 bar	2,5 bar
Minimum return water temperature	55 °C	55 °C
Water capacity	55 liter	55 liter
Connection input / output	G 1 / G 1	G 1 1/2 / G 1 1/2

GENERAL TECHNICAL INFORMATION		
Combustion air connection	Ø 125 mm	Ø 150 mm
Total weight / lining weight	ca. 327 / 100 kg	
Use in non-ventilated accumulation builds according to craft rules	suitable	
Meets values	BlmSchV (Stufe2), 15a BVG	

# HAKA 63/51Wa, 63/51Wa+

Technical data  
Version 01/2018

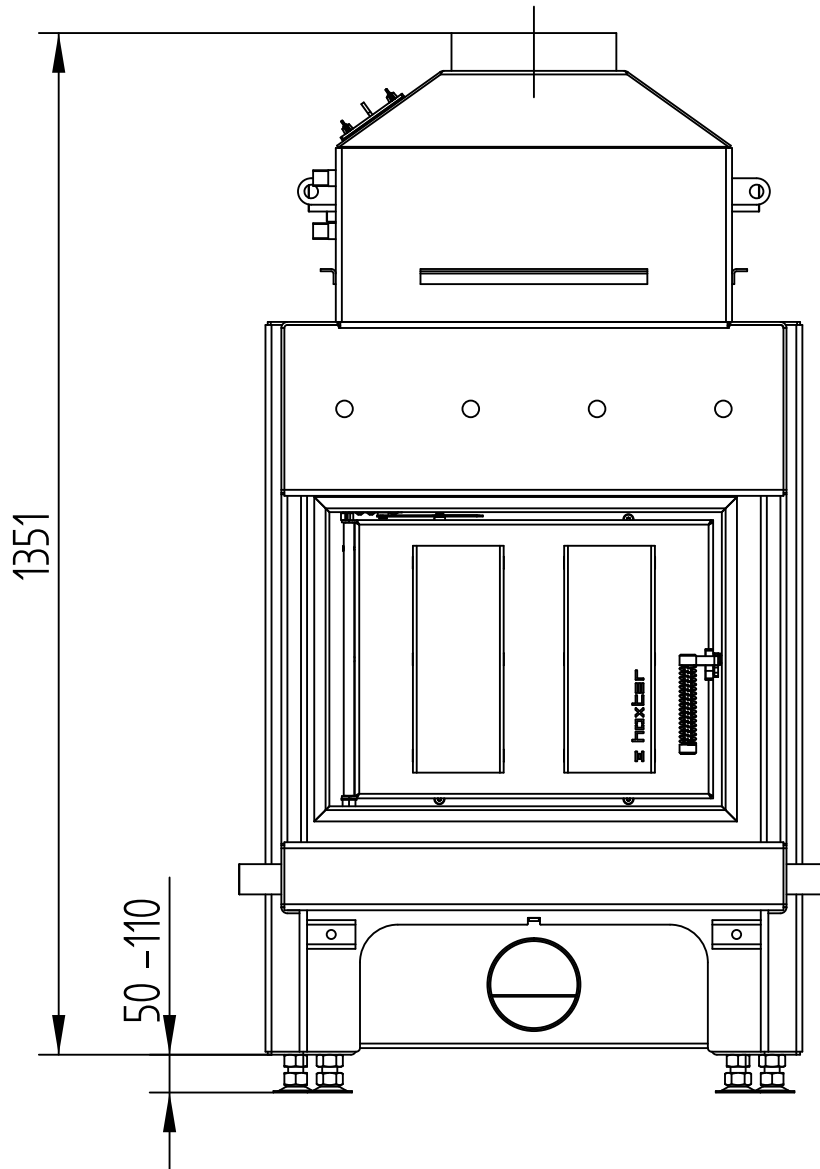
NR.	THREAD SIZE		DESCRIPTION
	63/51Wa	63/51Wa+	
1	G 1" (IG)	G 1 1/2" (IG)	Water supply from heating system - min. 55°C
2	G 1" (IG)	G 1 1/2" (IG)	Hot water supply to heating system
3	G 1/2" (AG)	G 1/2" (AG)	Water supply from the waterlines into the cooling loop
4	G 1/2" (AG)	G 1/2" (AG)	Discharge of water from the cooling loop into the waste
5	G 3/8" (IG)	G 3/8" (IG)	Pocket for air vent valve
6	G 1/2" (IG)	G 1/2" (IG)	Pocket for thermal sensors



# HAKA 63/51Wa, 63/51Wa+

Technical data  
Version 01/2018

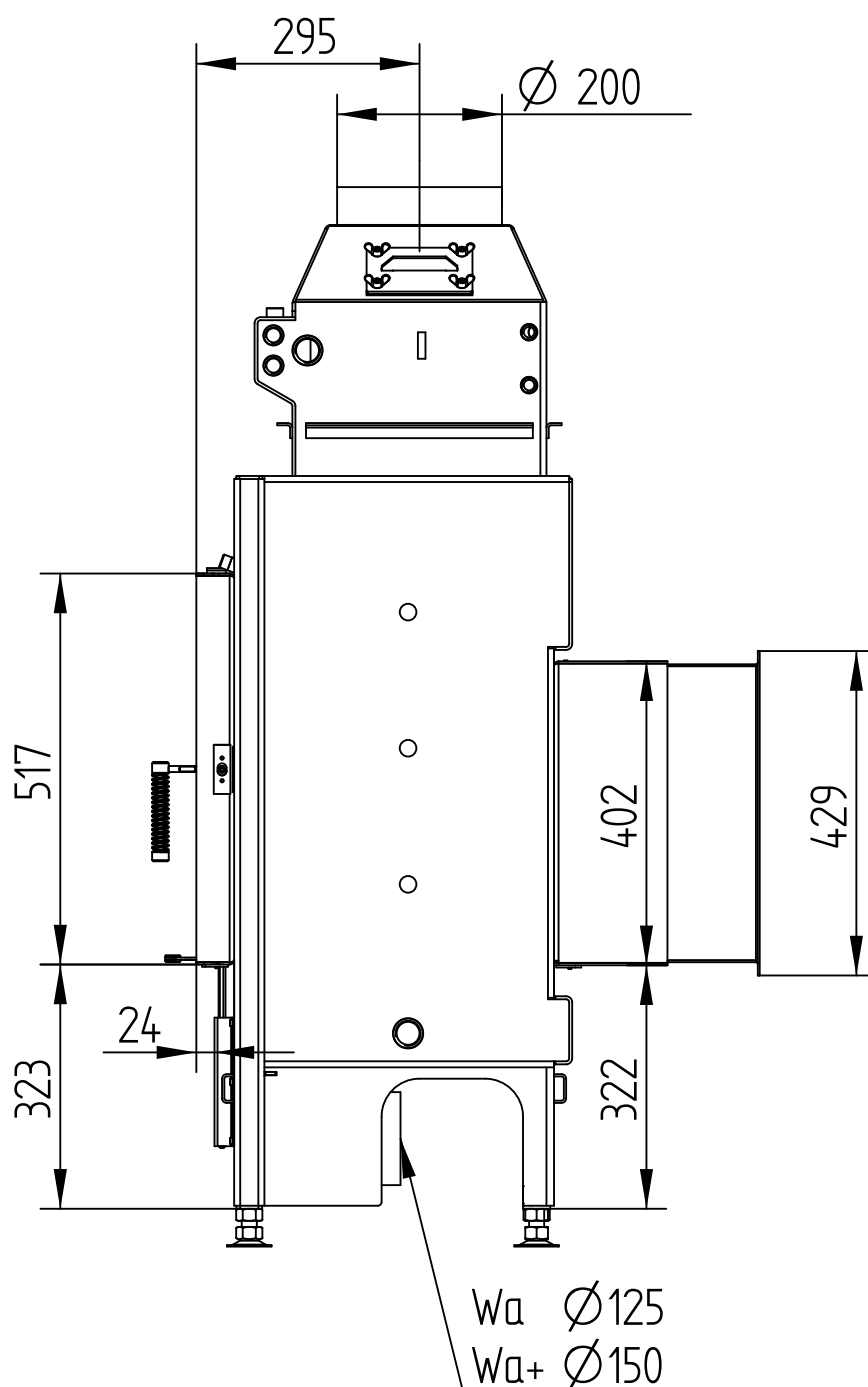
M 1 : 10



# HAKA 63/51Wa, 63/51Wa+

Technical data  
Version 01/2018

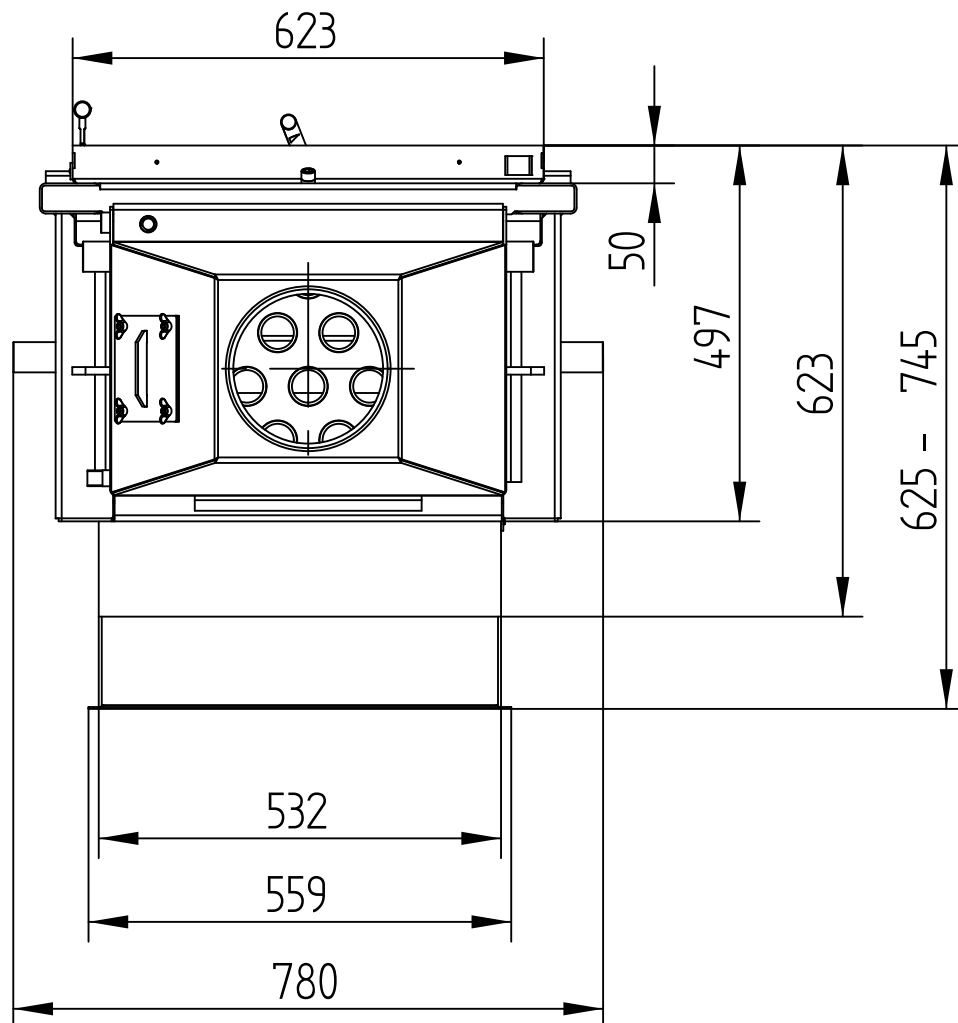
M 1 : 10



# HAKA 63/51Wa, 63/51Wa+

Technical data  
Version 01/2018

M 1 : 10

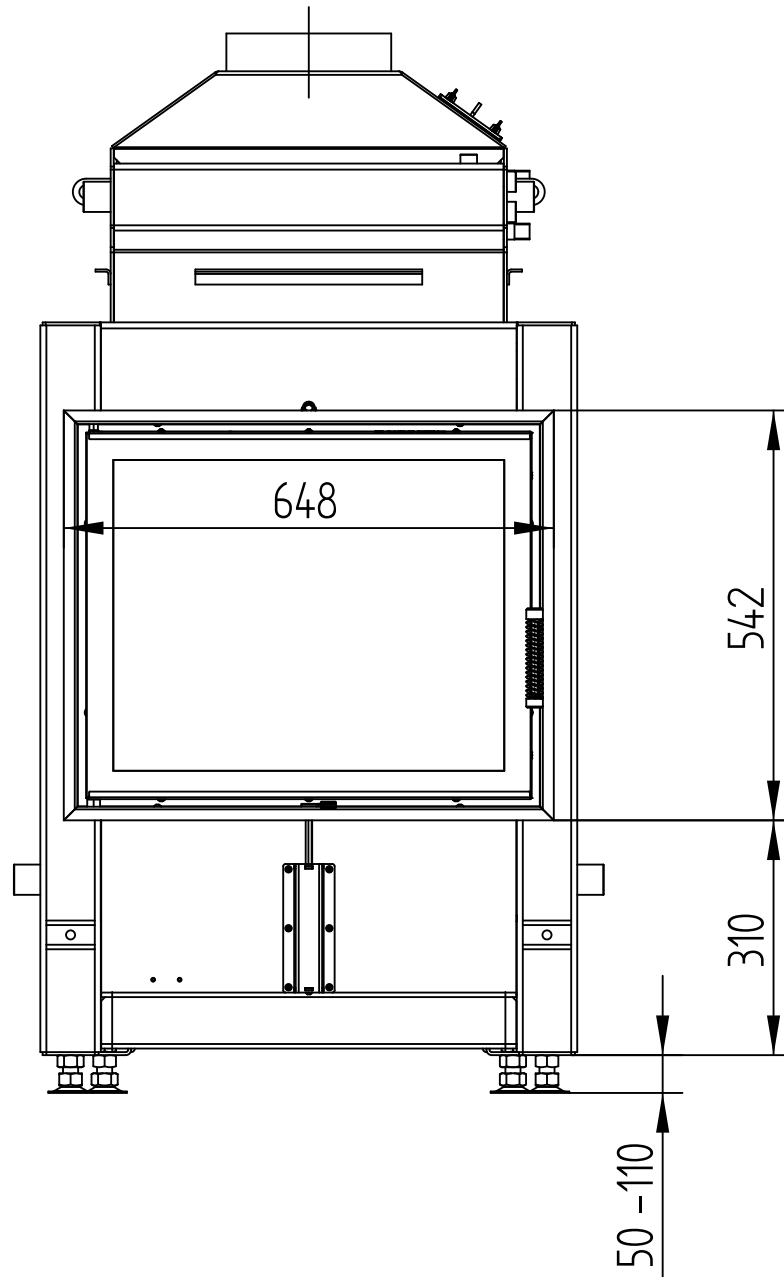


# HAKA 63/51Wa, 63/51Wa+

Technical data  
Version 01/2018

COVER FRAME 4-SIDED 1 x 90°

M 1 : 10

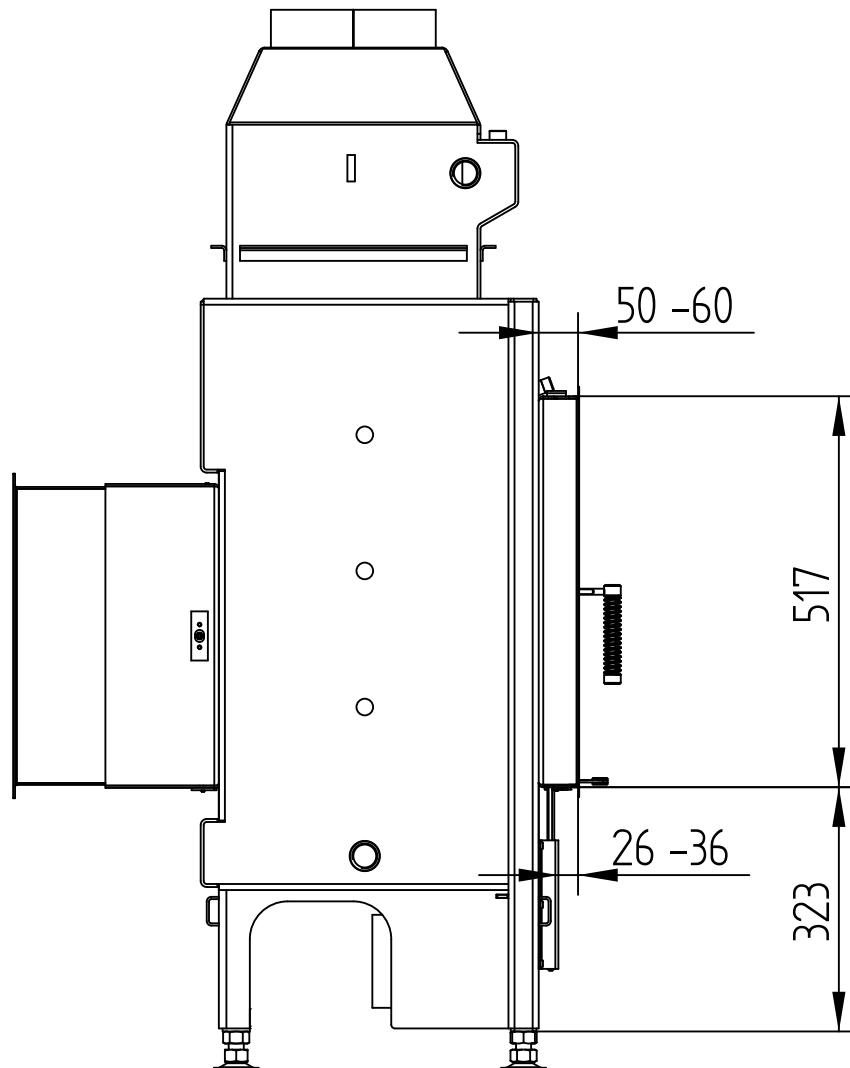


# HAKA 63/51Wa, 63/51Wa+

Technical data  
Version 01/2018

COVER FRAME 4-SIDED 1 x 90°

M 1 : 10

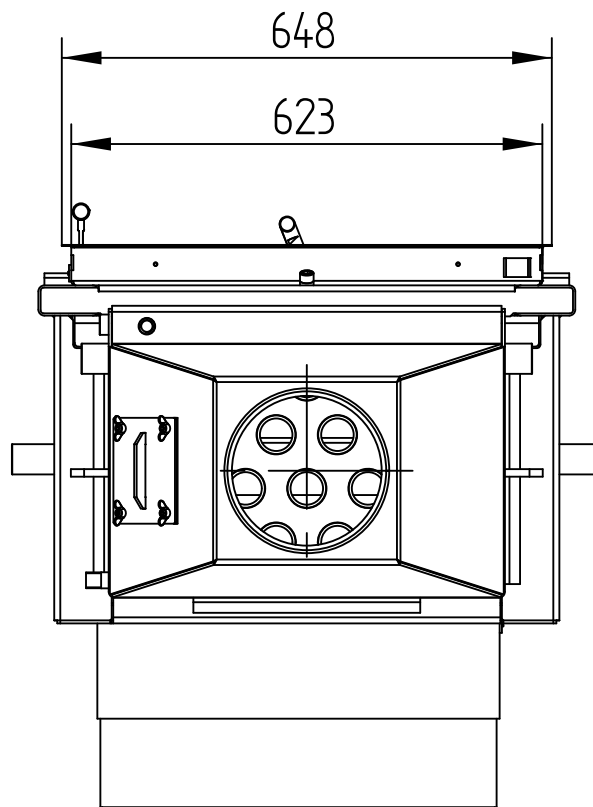


# HAKA 63/51Wa, 63/51Wa+

Technical data  
Version 01/2018

COVER FRAME 4-SIDED 1 x 90°

M 1 : 10



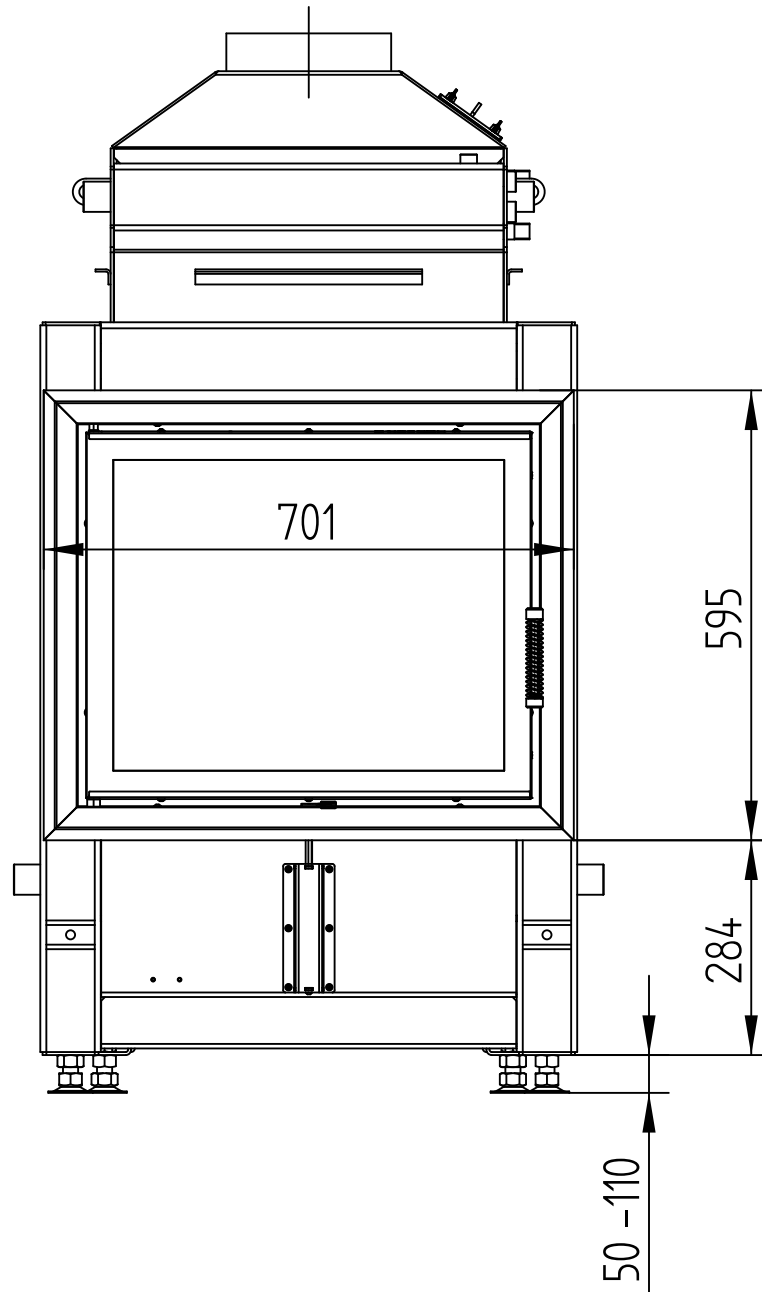


# HAKA 63/51Wa, 63/51Wa+

Technical data  
Version 01/2018

COVER FRAME 4-SIDED 2 x 45°

M 1 : 10

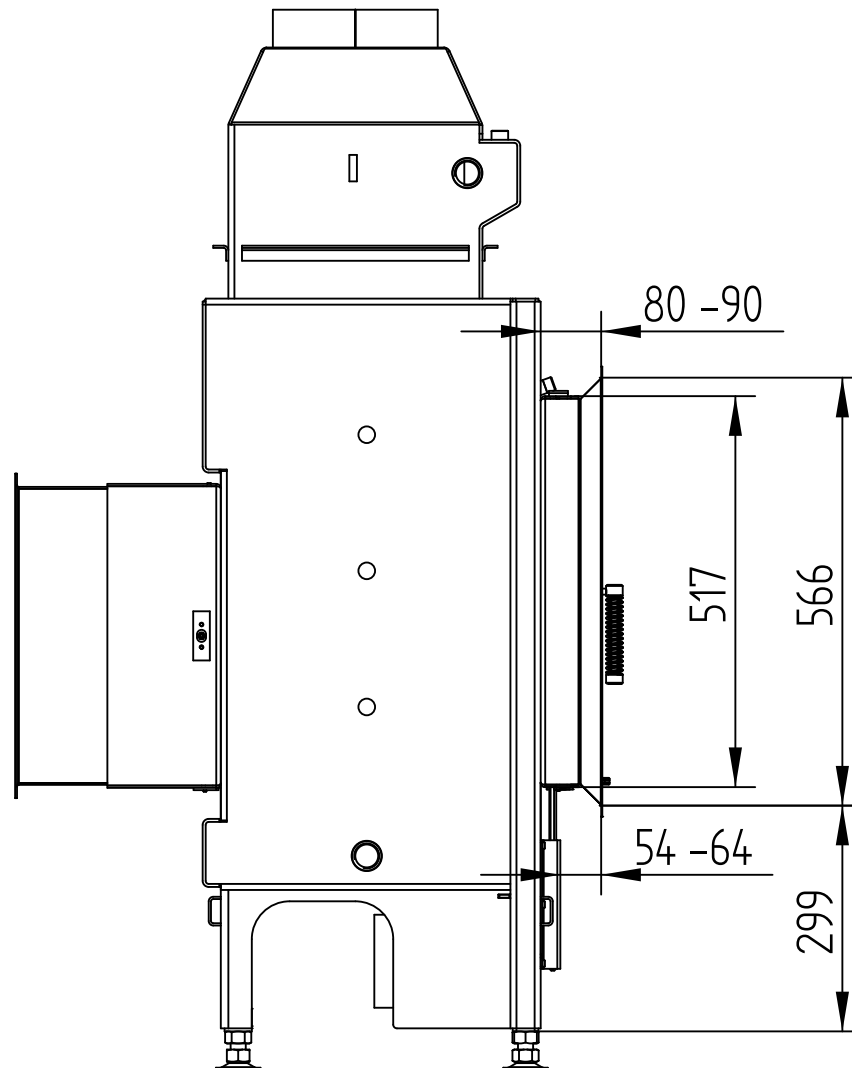


# HAKA 63/51Wa, 63/51Wa+

Technical data  
Version 01/2018

COVER FRAME 4-SIDED 2 x 45°

M 1 : 10



# HAKA 63/51Wa, 63/51Wa+

Technical data  
Version 01/2018

COVER FRAME 4-SIDED 2 x 45°

M 1 : 10

