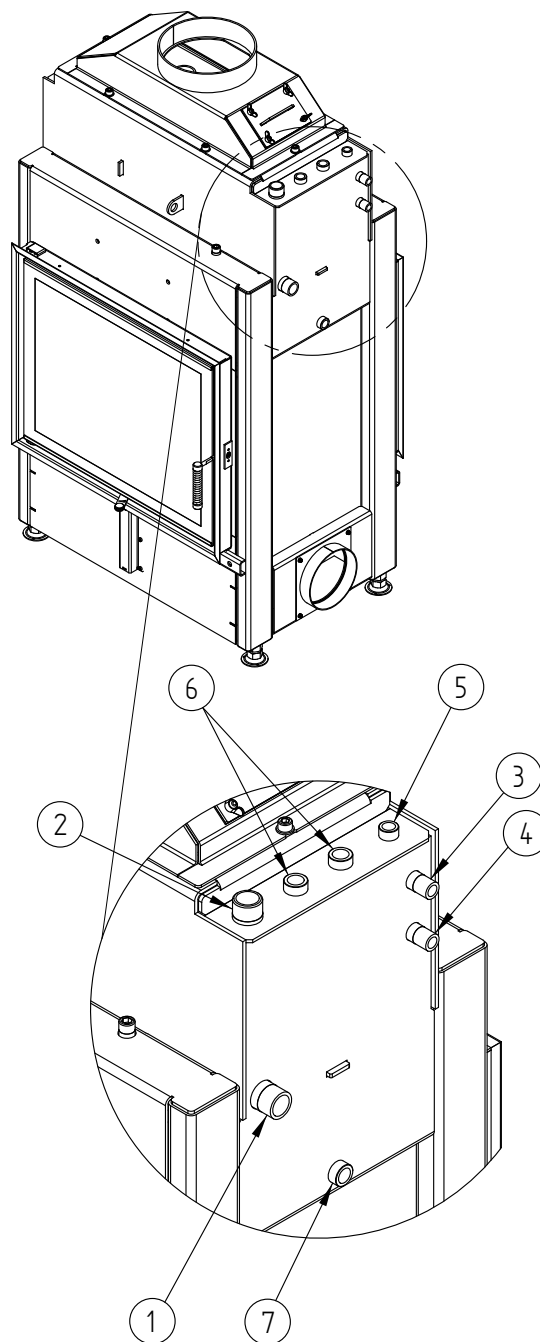


OPERATION WHEN DIRECTLY CONNECTED TO CHIMNEY	HAKA 63/51 WT
Tested according to	EN 13229
Nominal heat power / Power absorbed to water	14,5 / 8,1 kW
Efficiency	> 80 %
Consumption of wood	4,0 kg/h
Mass flow of flue gas	11,0 g/s
Average flue gas temperature on the output	214 °C
Heat distribution fireplace insert door glass (single / double) water	13 % - / 31 % 56 %
Required chimney pressure	12 Pa
Required amount of combustion air	45 m ³ /h
Minimum supply air grating cross-section	250 cm ²
Minimum outgoing air grating cross-section	350 cm ²

WATER EXCHANGER SPECIFICATIONS	
Maximum working pressure	2,5 bar
Minimum return water temperature	55 °C
Water capacity	52 liter
Connection input / output	G 1 / G 1

GENERAL TECHNICAL INFORMATION	
Combustion air connection	Ø 150 mm
Total weight / lining weight	ca. 303 / 81 kg
Use in non-ventilated accumulation builds according to craft rules	suitable
Meets values	BlmSchV (Stufe2), 15a BVG

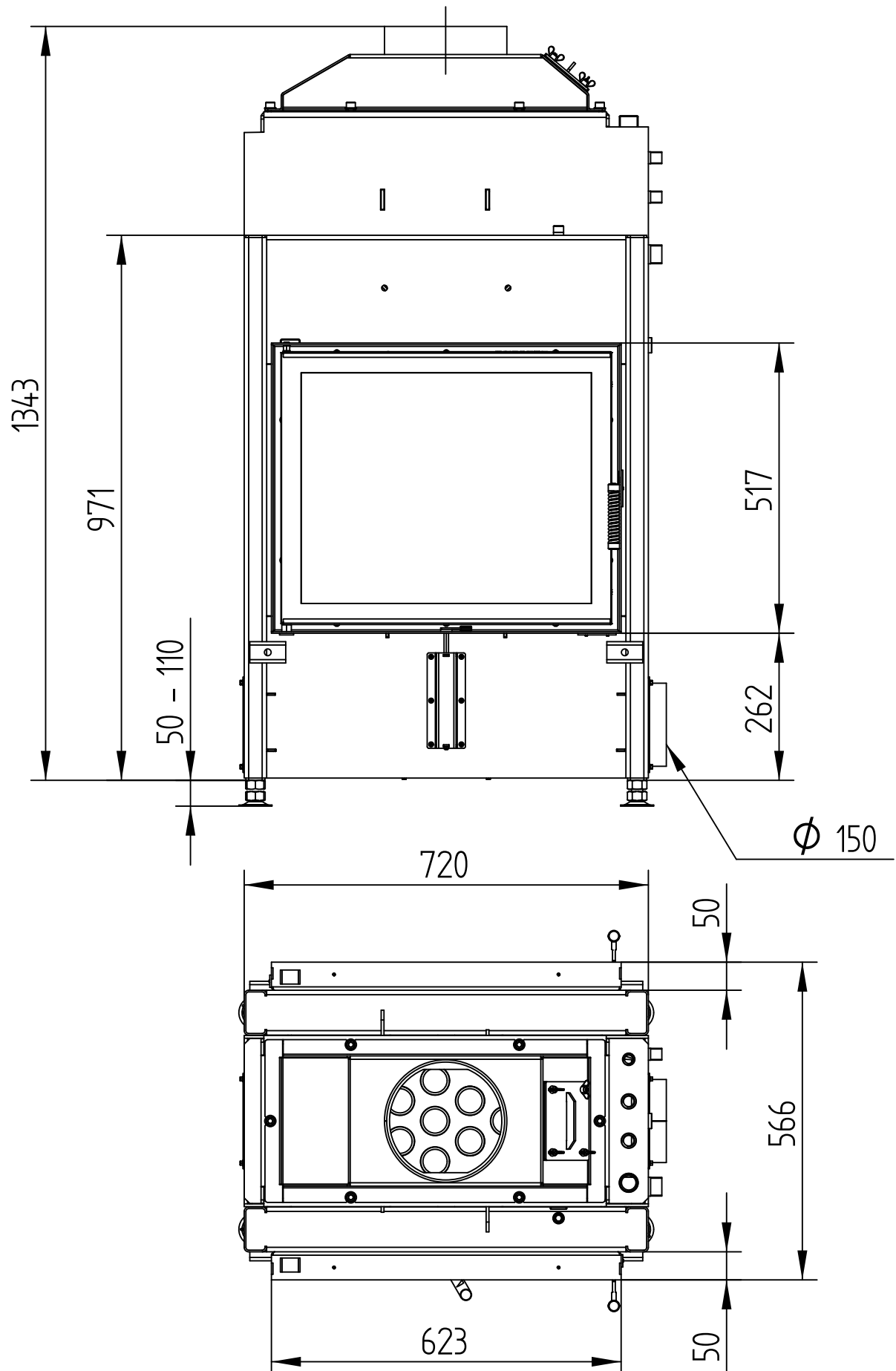
NR.	THREAD SIZE	DESCRIPTION
1	G 1" (AG)	Water supply from heating system - min. 55°C
2	G 1" (AG)	Hot water supply to heating system
3	G 1/2" (AG)	Water supply from the waterlines into the cooling loop
4	G 1/2" (AG)	Discharge of water from the cooling loop into the waste
5	G 3/8" (IG)	Pocket for air vent valve
6	G 1/2" (IG)	Pocket for thermal sensors
7	G 1/2" (IG)	Discharge valve



HAKA 63/51WT

Technical data
Version 01/2018

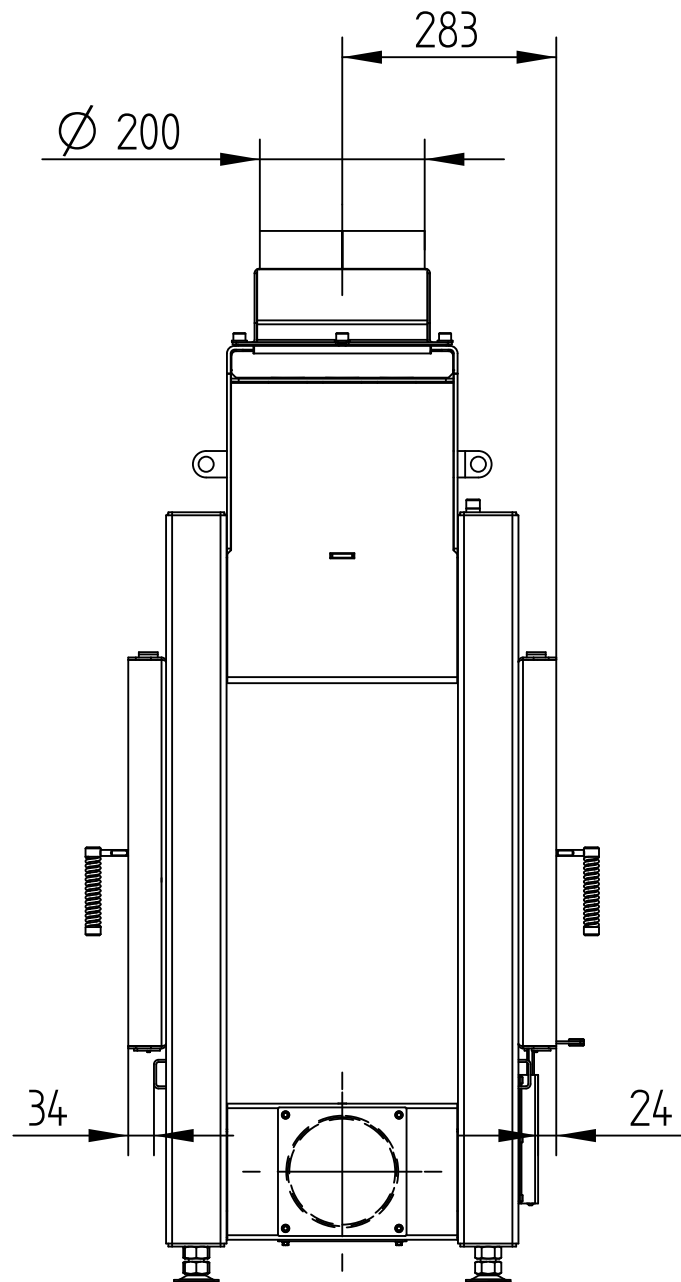
M 1 : 10



HAKA 63/51WT

Technical data
Version 01/2018

M 1 : 10

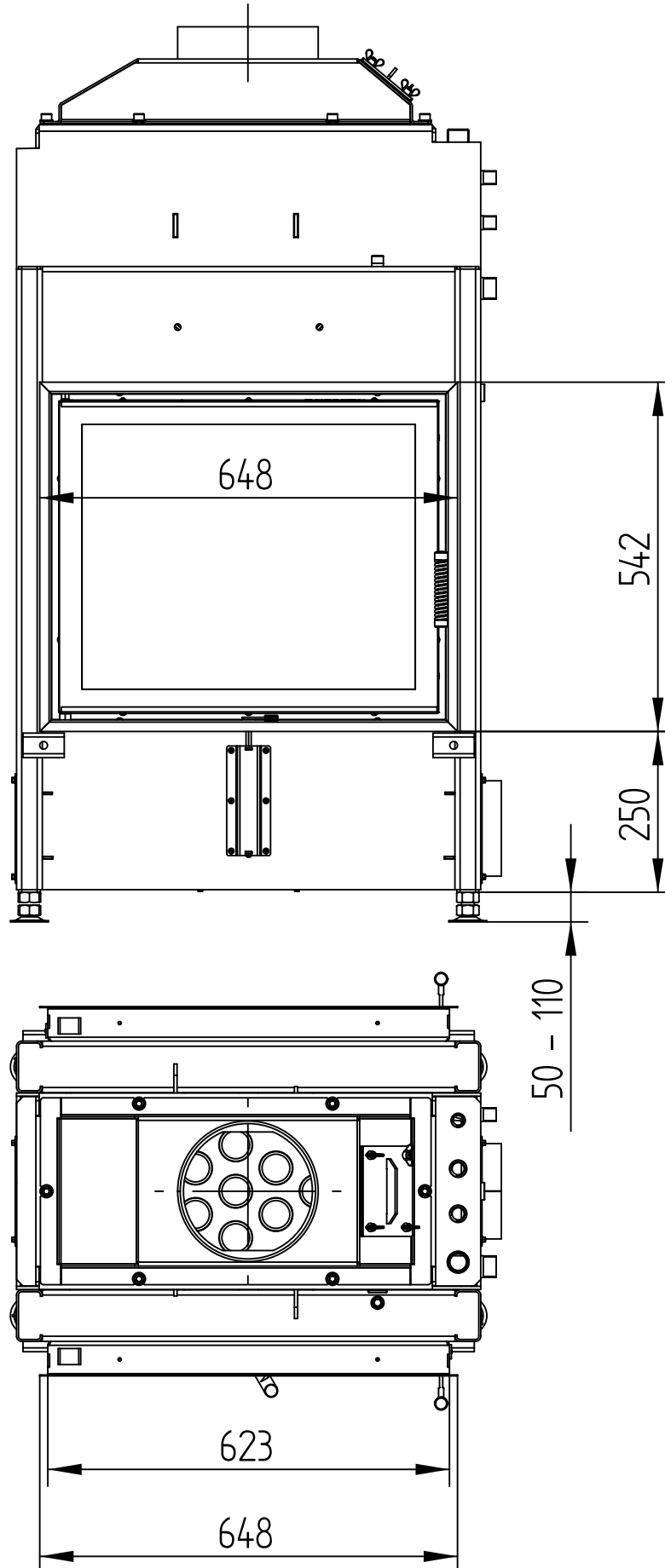


HAKA 63/51WT

Technical data
Version 01/2018

COVER FRAME 4-SIDED 1 x 90°

M 1 : 10

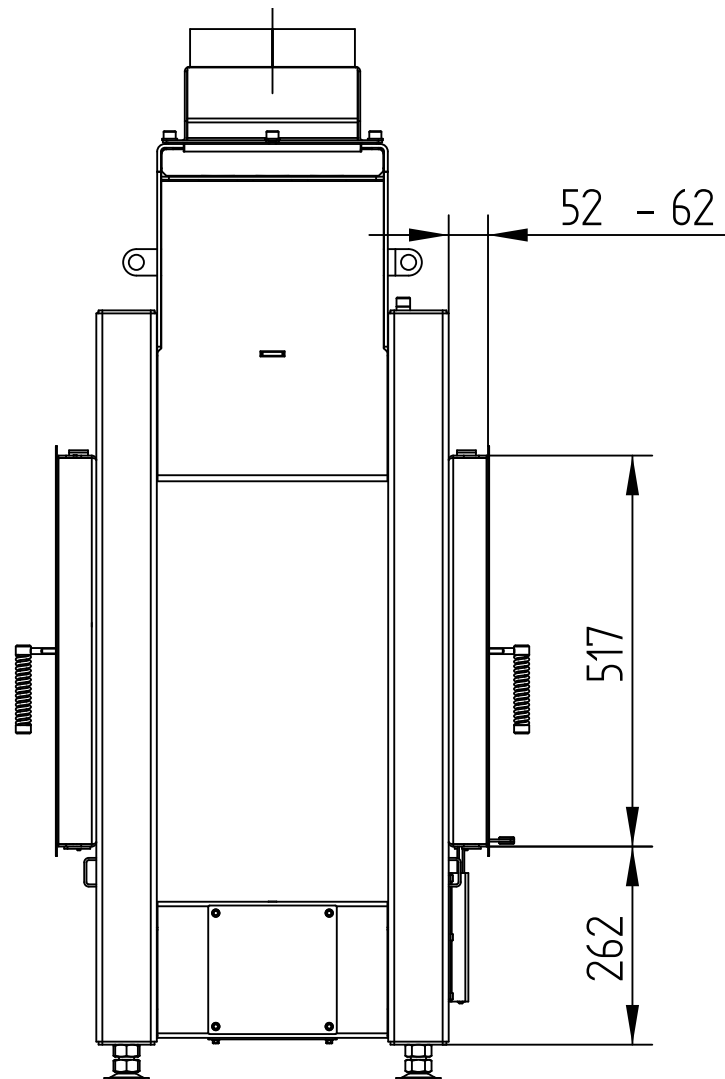


HAKA 63/51WT

Technical data
Version 01/2018

COVER FRAME 4-SIDED 1 x 90°

M 1 : 10

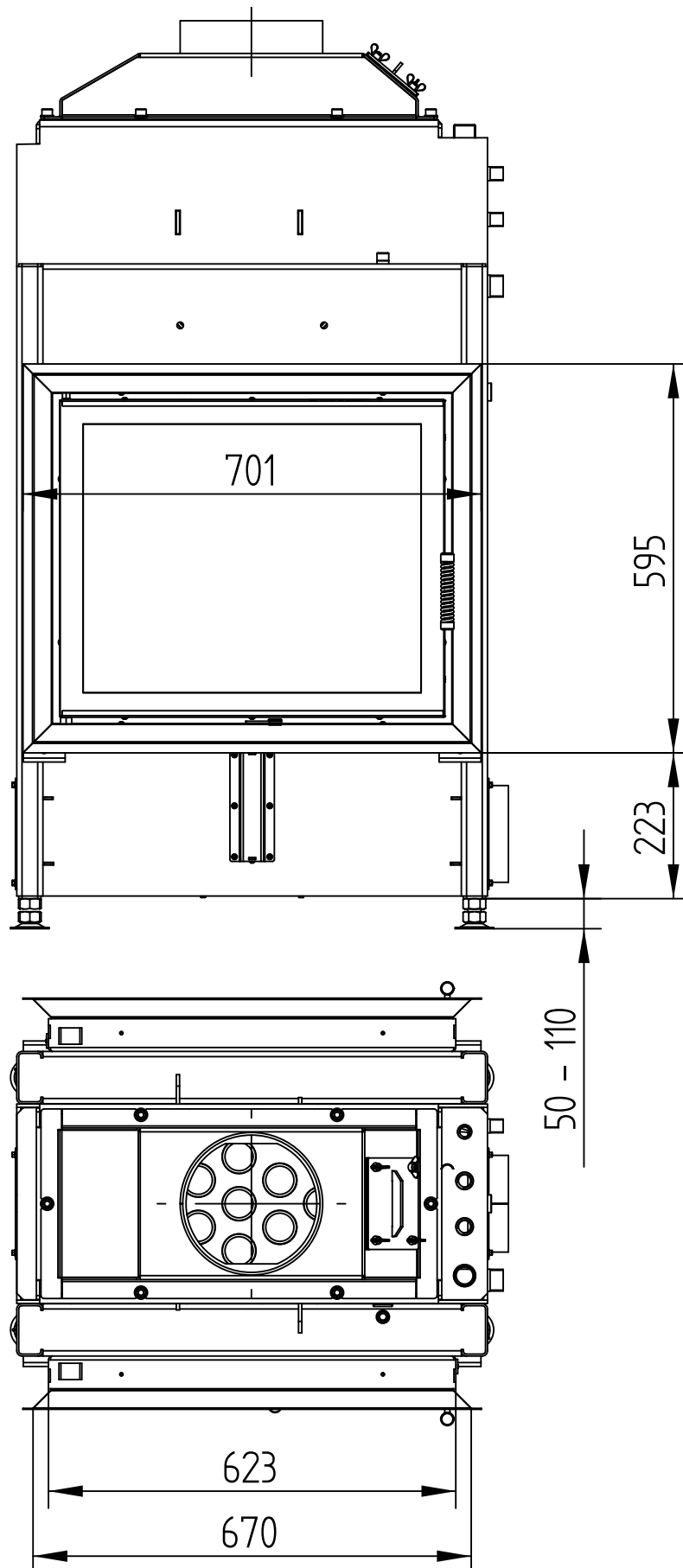


HAKA 63/51WT

Technical data
Version 01/2018

COVER FRAME 4-SIDED 2 x 45°

M 1 : 10



HAKA 63/51WT

Technical data
Version 01/2018

COVER FRAME 4-SIDED 2 x 45°

M 1 : 10

